

Torque is _____

Give at least three examples of each:

1. An object in static equilibrium.

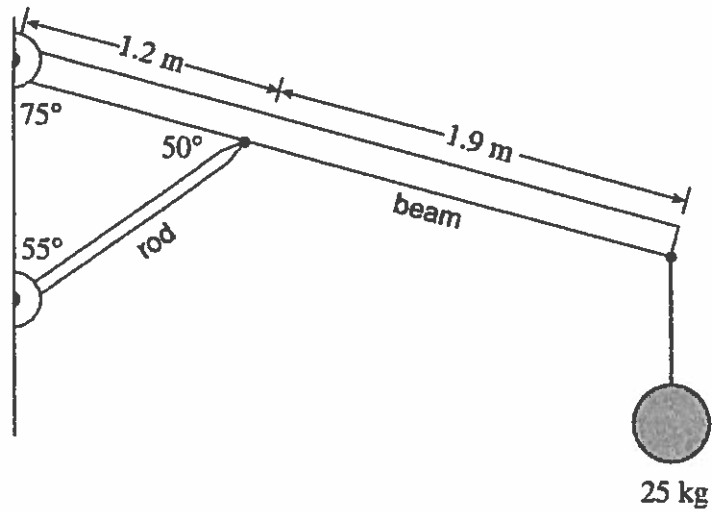
2. An object in translational equilibrium but NOT in rotational equilibrium.

3. An object in rotational equilibrium but NOT in translational equilibrium.

4. An object that is NEITHER in translational equilibrium NOR in rotational equilibrium.

2. (5 marks)

A 3.1 m-long uniform 15 kg beam is held in place by a rod and supports a 25 kg mass as shown.



What is the force exerted by the rod on the beam?