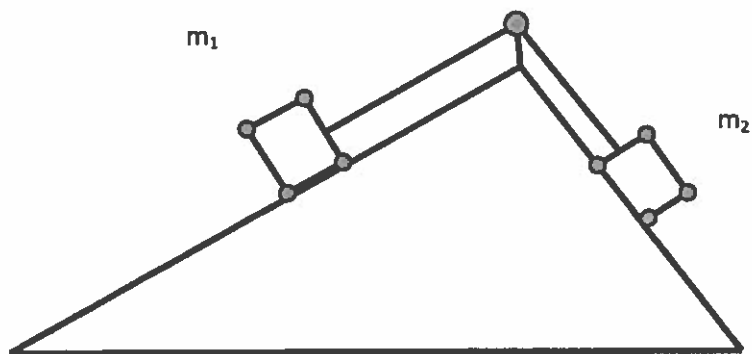
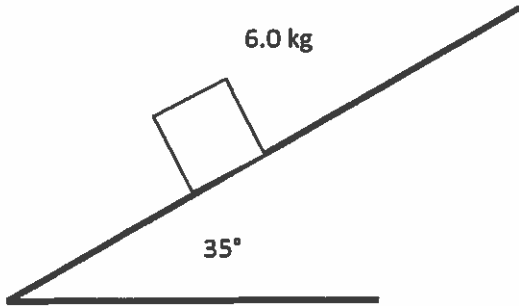


1. Draw a free-body diagram of m_1 and a "situation sketch" for m_2 provided that m_1 is accelerating down the plane and friction is present.



2. Why does a greater angle of the inclined plane lead to a smaller magnitude of the force of kinetic friction?

3. a) What is the magnitude and direction of frictional force if the coefficient of kinetic friction is 0.18 and the coefficient of static friction is 0.23?



b) What is the acceleration of the object?