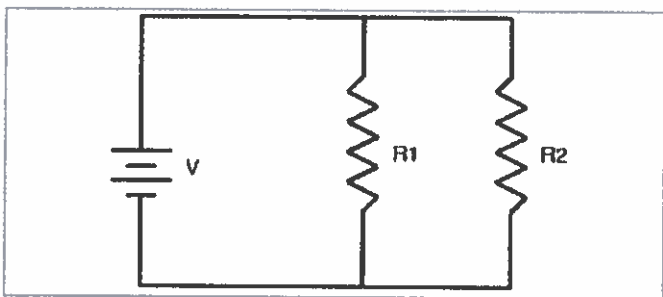
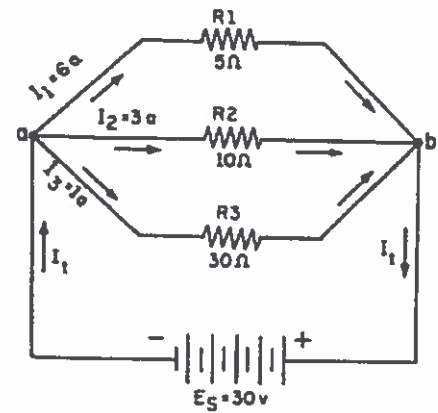
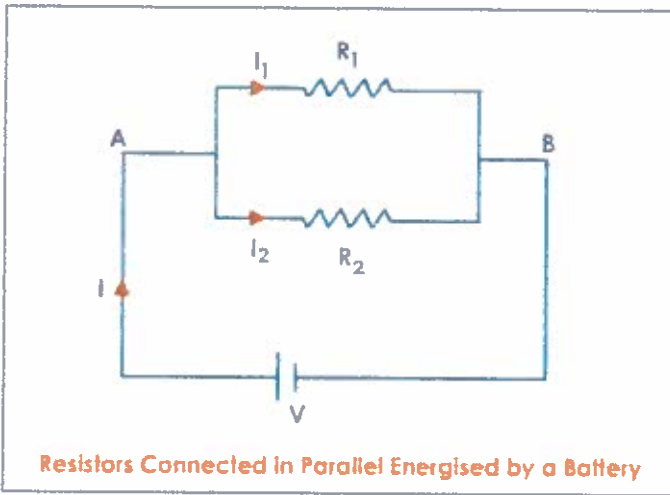


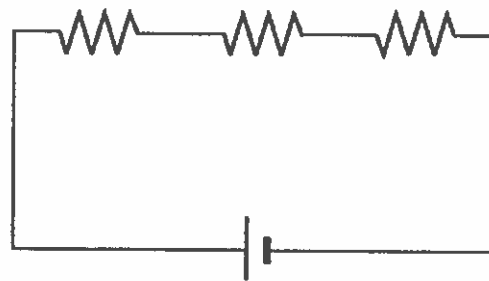
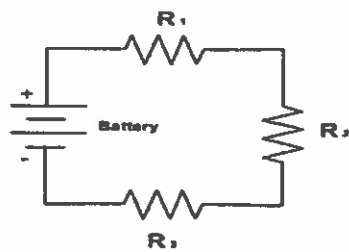
OHM'S LAW – practice

1. An automobile panel lamp with a resistance of 33Ω [Ohm] is placed across a 12-V battery. What is the current through the circuit?
2. A motor with an operating resistance of 32Ω is connected to a voltage source. The current in the circuit is 3.8A. What is the voltage of the source?
3. A sensor uses 2.0×10^{-4} A of current when it is operated by a 3.0-V battery. What is the resistance of the sensor circuit?
4. A lamp draws a current of 0.50 A when it is connected to a 120-V source. What is the resistance of the lamp?

CIRCUITS WITH RESISTORS CONNECTED IN PARALLEL



CIRCUITS WITH RESISTORS CONNECTED IN SERIES



CIRCUITS WITH RESISTORS IN COMBINATION OF PARALLE AND IN SERIES CONNECTION

